

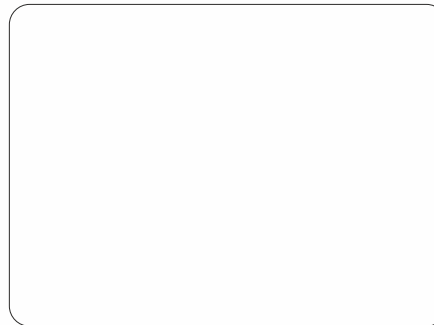
- Created according to the newest and most innovative technologies
- Conform to the highest European security norms regarding rotor pulling – 1500 kg
- Tested for fire resistance: +400 °C
- Patented construction of the key
- More than 20 000 000 key differs
- Patented construction of the cam for a higher breaking resistance
- Plastic code card for highest security against illegal key duplicates and total control over the key copies
- High performance materials (new silver keys and pins) for a long exploitation
- Suitable for Single Differs, Key Alike and Master Key Systems

**MAUER**<sup>®</sup>  
LOCKING SYSTEMS

[www.mauerlocks.net](http://www.mauerlocks.net)

# NW4

Your dealer / expert



**MAUER**<sup>®</sup>  
LOCKING SYSTEMS

[www.mauerlocks.net](http://www.mauerlocks.net)

**MAUER**<sup>®</sup>  
LOCKING SYSTEMS

New Wave Series



# NW4

The New Name Of Security!




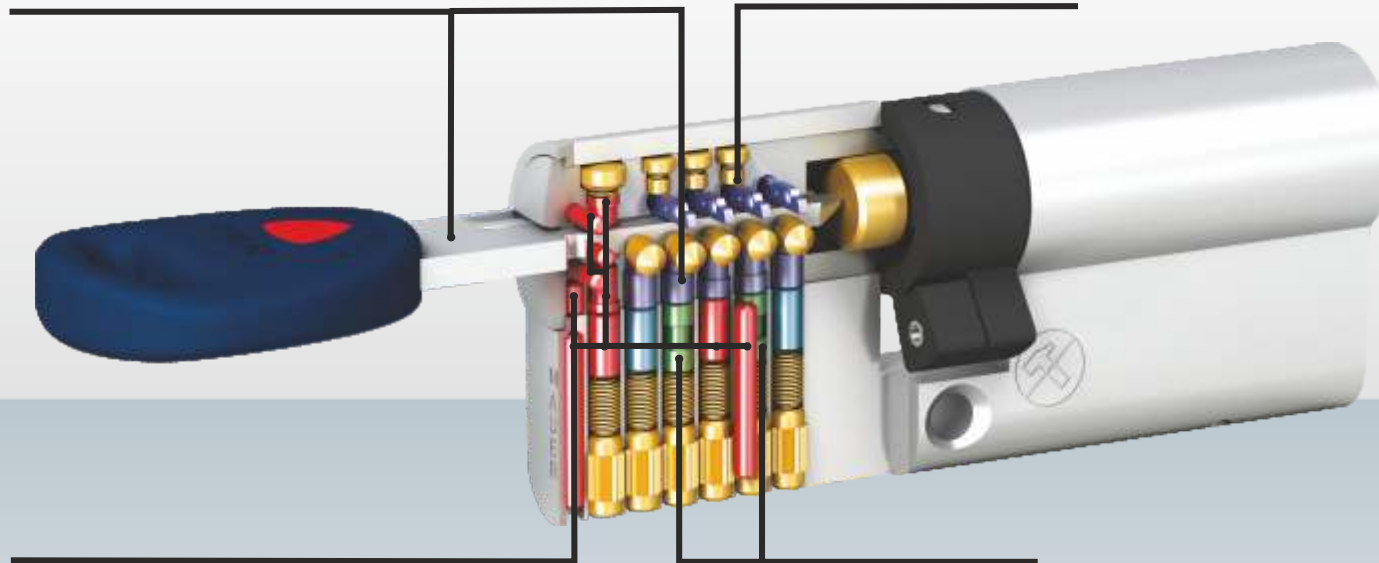
# HIGH SECURITY PROFILE CYLINDER



# NW4

**PINS AND KEY OF NEWSILVER,**  
for best performance  
and long-term exploitation.

**ANTI-BUMPING  
PROTECTION,**   
consisting of levers with a special  
design combined with active pins.



**COMPLEX ANTI  
DRILLING PROTECTION,**  
consisting of hardened steel  
pins in the body and the rotor  
of the cylinder.

**ANTI-PICKING  
PROTECTION,**  
consisting of pins with  
a special construction.



**300% HIGHER  
BREAKING RESISTANCE,**  
guaranteed by a  
specially designed,  
patented cam of  
the cylinder.



**PATENTED SYSTEM NW4,**  
consisting of 4 types  
of encoding elements:  
- Rollers in the key;  
- Main active row of pins;  
- Side row of pins;  
- Wave channel in  
the key, combined with  
special levers.



**PATENTED DESIGN  
OF THE KEY AGAINST  
ILLEGAL DUPLICATE  
ATTEMPTS**  
through active,  
freely moving rollers  
implemented in the key.



**PLASTIC CODE CARD  
FOR PERFECT SECURITY**

Duplicates of the key can be made  
only in authorized by "Mauer Locking  
Systems" service centers.



**ERGONOMIC  
KEYBOW**  
of the key,  
elegantly designed.