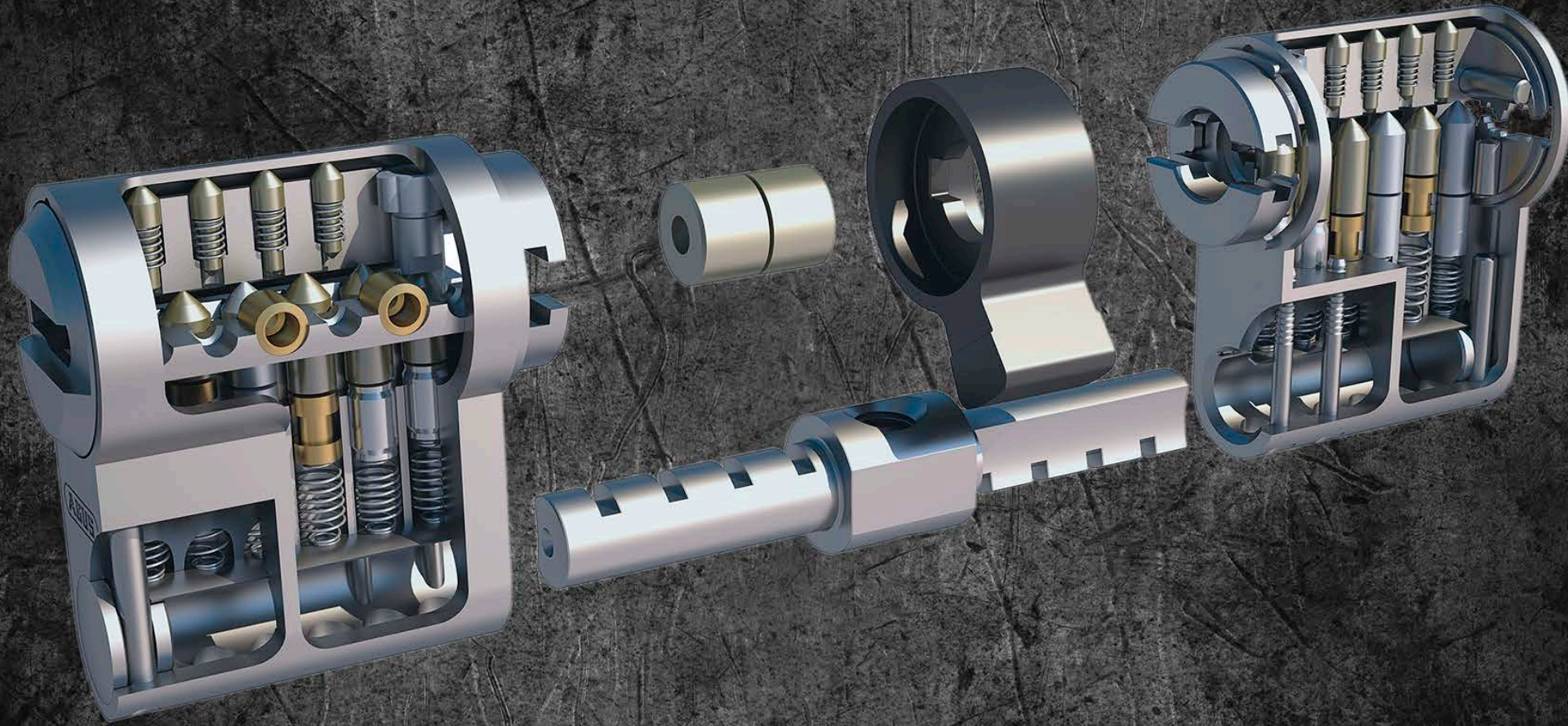




MODULAR SYSTEM MX

**MODULAR HAS NEVER  
BEEN THIS EASY!**



TECHNOLOGICAL BREAKTHROUGH

**AN AMAZING MODULAR SYSTEM  
THAT WILL LEAVE YOU "TOOL-LESS"**

BE FLEXIBLE AND ADAPT YOUR BUSINESS



# WHAT IS THE MODULAR FEATURE USEFUL FOR?

At your store



Rare size? No problem  
Don't lose an order!

On the move



Don't leave the cylinder uninstalled!  
With minimal investment in your van

Project business



Wrong size specified?  
A solution right on site

| AT YOUR STORE

# AT YOUR STORE



# AT YOUR STORE

„Morning!  
Just moved into my  
new office and would like  
to install **high-security  
cylinders**. The main UPVC  
door is like this (40/60)  
and these 2 (35/45) go on two  
other doors in the building.  
Hey, would it be possible  
to open all with a  
single key?

„Thanks!  
Sounds great!“



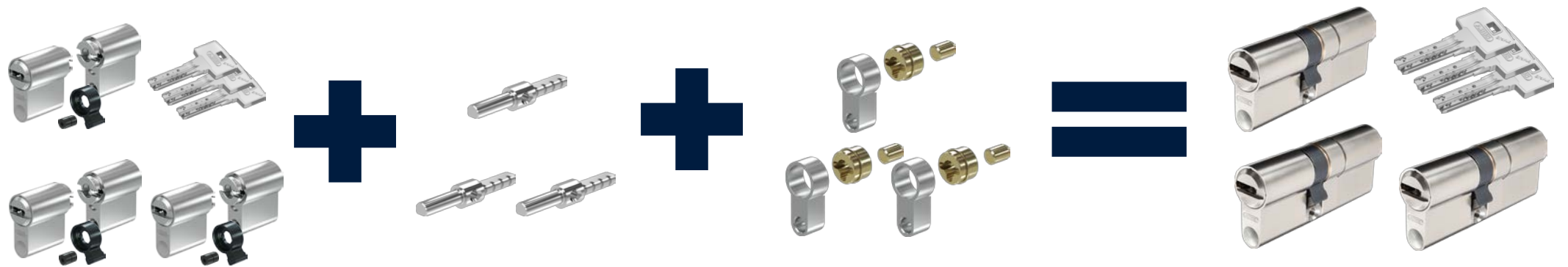
„Absolutely!  
It'll just take a few minutes.  
I'll be right back!“

# AT YOUR STORE

Use your pre-built Modular sets and build to requirements with the right bar and extension sets:



You can mix and match individual **KD** or **KA** modules:





# AT YOUR STORE

“In 3 minutes??  
That was quicker  
than expected.  
Thanks a lot!”



“So..., here we are.  
3 cylinders and 9 keys.  
That'll be ££  
pounds please.”



3 minutes later:



... 3 cylinders assembled



... and 9 keys sold

| ON THE MOVE

# ON THE MOVE



# ON THE MOVE

„Morning!  
Just lost my keys and  
needed a locksmith to  
open the door... By the way,  
would it be too much to  
ask if you can replace  
the old lock asap?

„That sounds  
wonderful!”

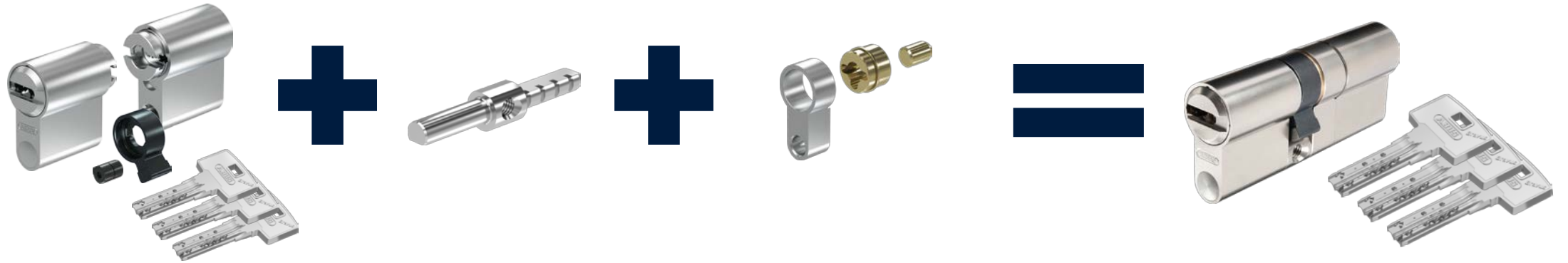


“No problem!  
It'll just take a few minutes.  
I have some ABUS Modular  
cylinders in the van, which  
I can adapt to your door  
in no time.”

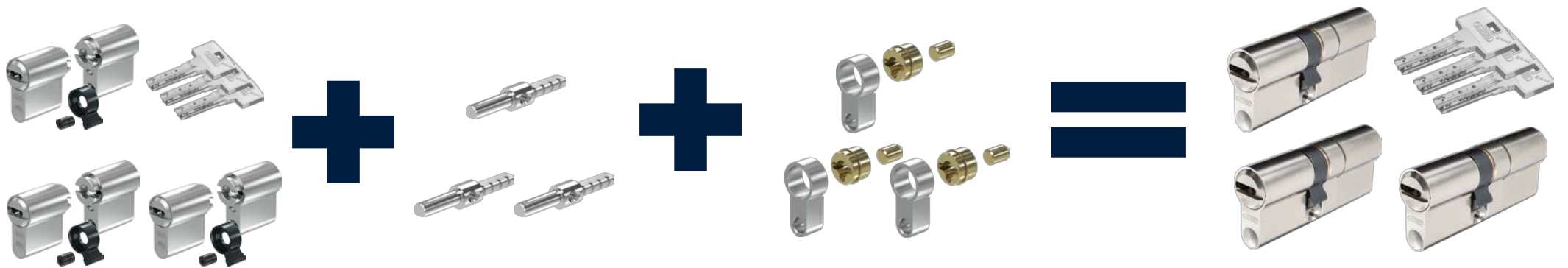


# ON THE MOVE

Use your pre-built Modular sets and build to requirements with the right bar and extension sets:



You can mix and match individual **KD** or **KA** modules:



# MODULAR ADVANTAGE > ANOTHER EXAMPLE



# ON THE MOVE

„Great – thanks a lot for  
your help!

That's worth an easy  
recommendation!”



“It was my pleasure!

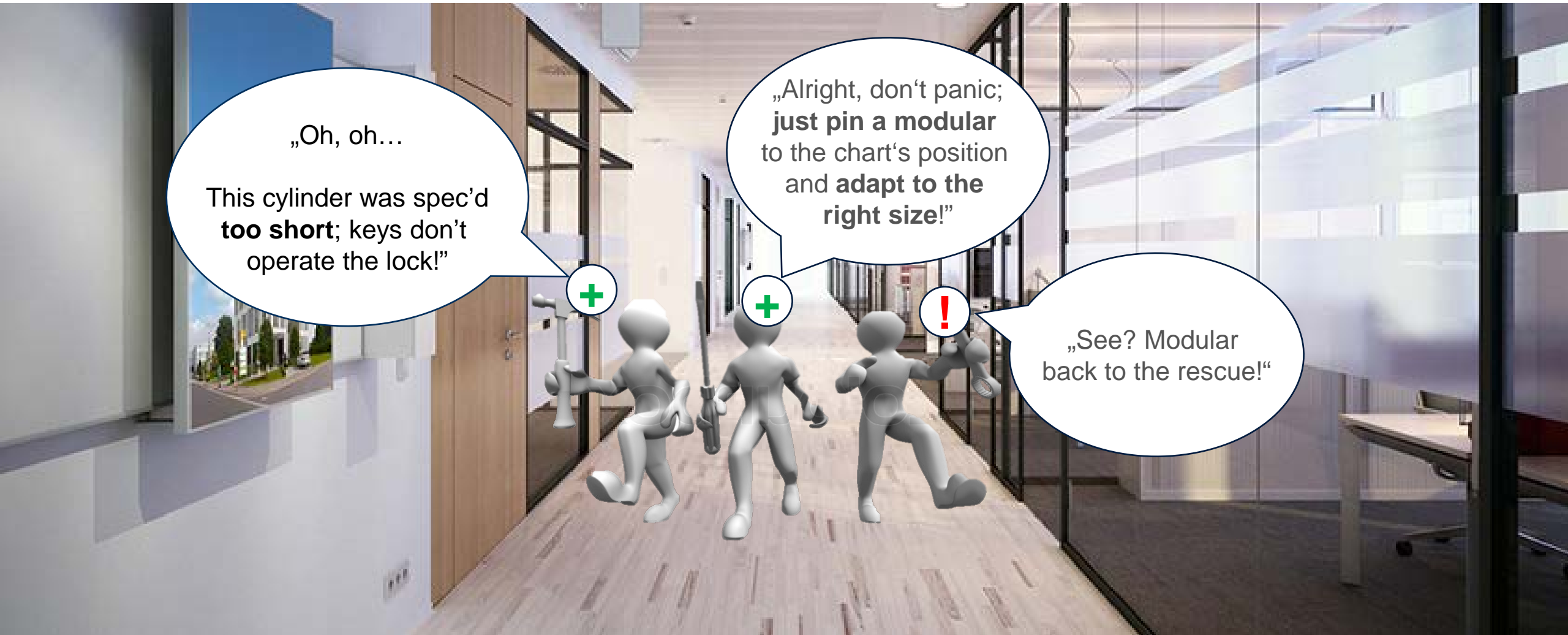
You can also thank ABUS  
and their super Modular  
System!“ ;-)



# | PROJECT BUSINESS



# PROJECT BUSINESS



„Oh, oh...  
This cylinder was spec'd  
**too short**; keys don't  
operate the lock!”

„Alright, don't panic;  
**just pin a modular**  
to the chart's position  
and **adapt to the**  
**right size!**”

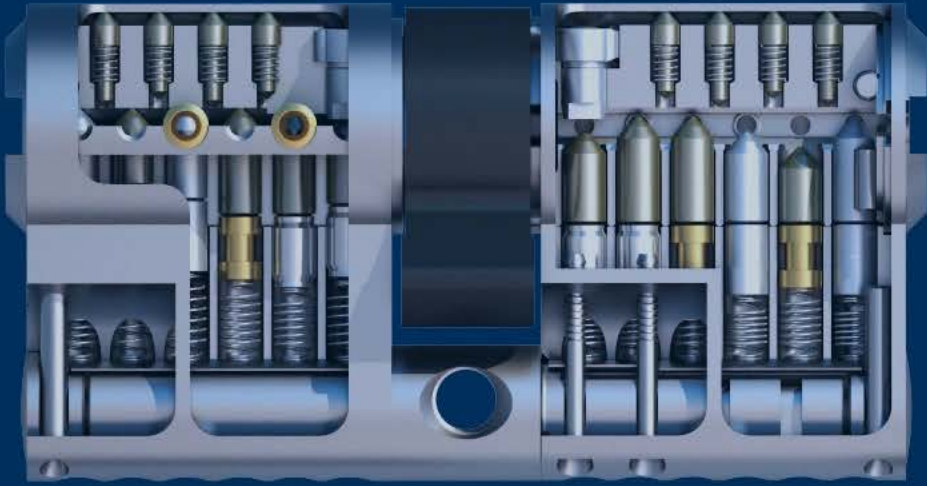
„See? Modular  
back to the rescue!”

# PROJECT BUSINESS > OFFER BETTER SERVICE WITH MODULAR

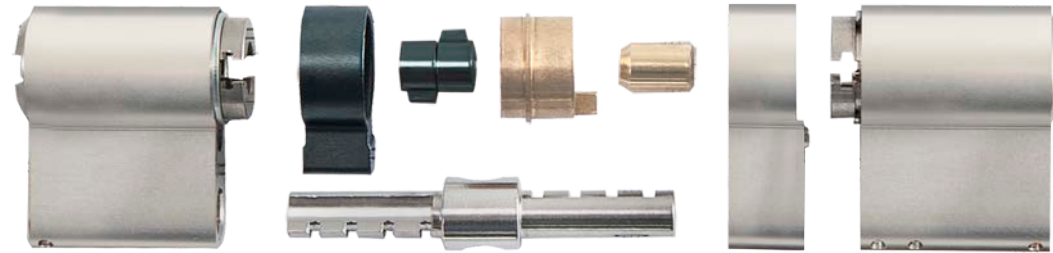
Use Modular DMs / sets, pin in to chart's position and adapt size with the bar and extension sets:



# | OUR MODULAR



YOU CAN NOW ALMOST ASSEMBLE ANYTHING!



LET'S TURN A 30/30 INTO A 160/30



DON'T LET US TELL YOU ABOUT IT!  
SEE FOR YOURSELF IN A LIVE DEMO

# OTHER MODULAR SYSTEMS



OUR MODULAR > NO SPECIAL TOOLS REQUIRED





# HUGE TIME SAVINGS



# THE FASTEST "GUN IN THE WEST"



# FYI

BEST PROS CHANGE THE  
LENGTH IN UNDER 8  
SECONDS...

DARE TRY TO BEAT IT?

# OUR MODULAR > SINGLE BAR COVERS MULTIPLE LENGTHS



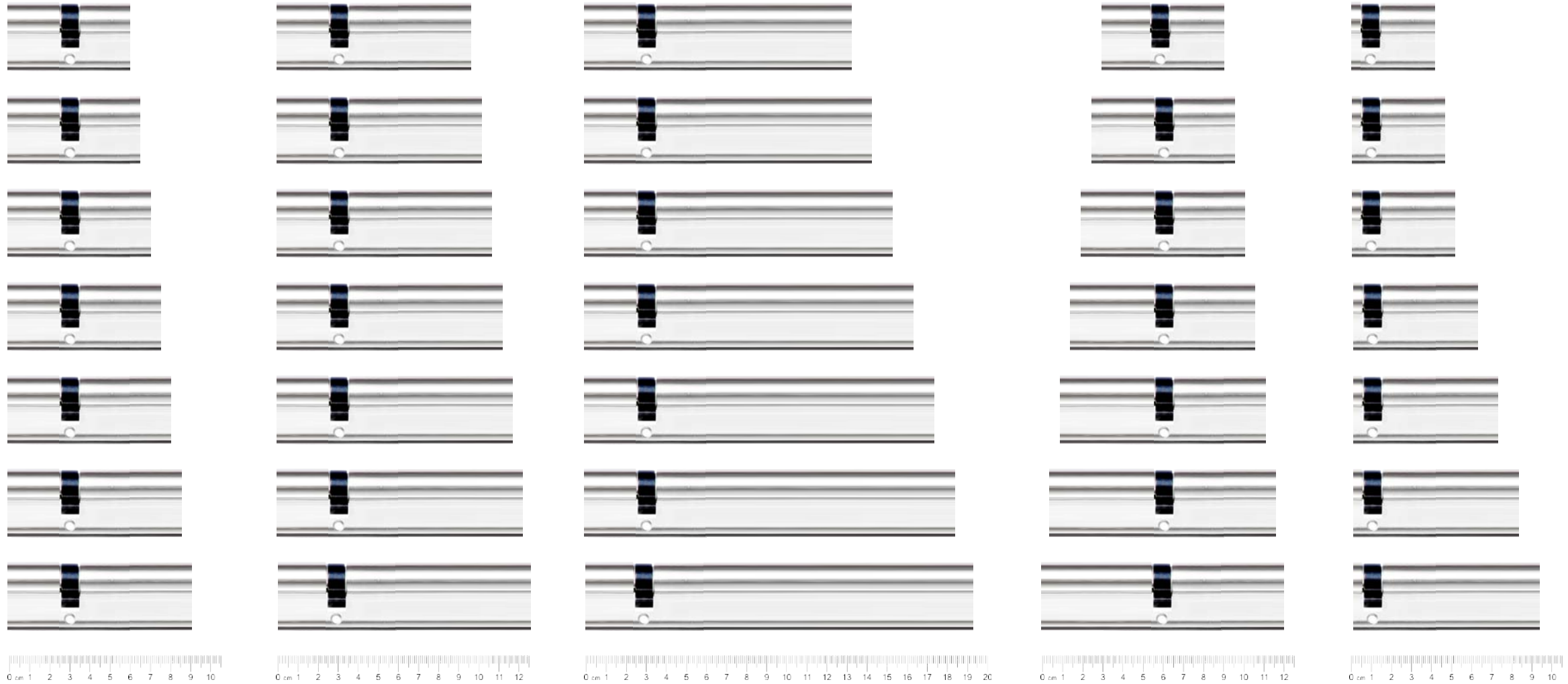
30 ←————→ 30

35 ←————→ 35

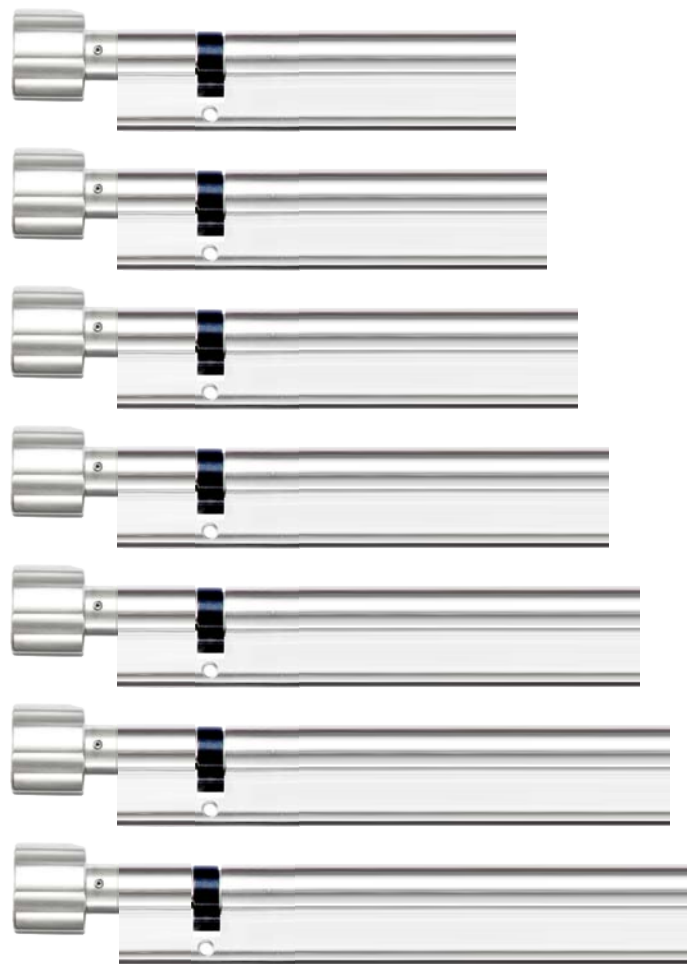
40 ←————→ 40

Example: 50MXS11 covers from 30/30 to 40/40. **1)** 30/30, **2)** 30/35-35/30, **3)** 30/40-40/30, **4)** 35/35, **5)** 35/40-40/35, **6)** 40/40

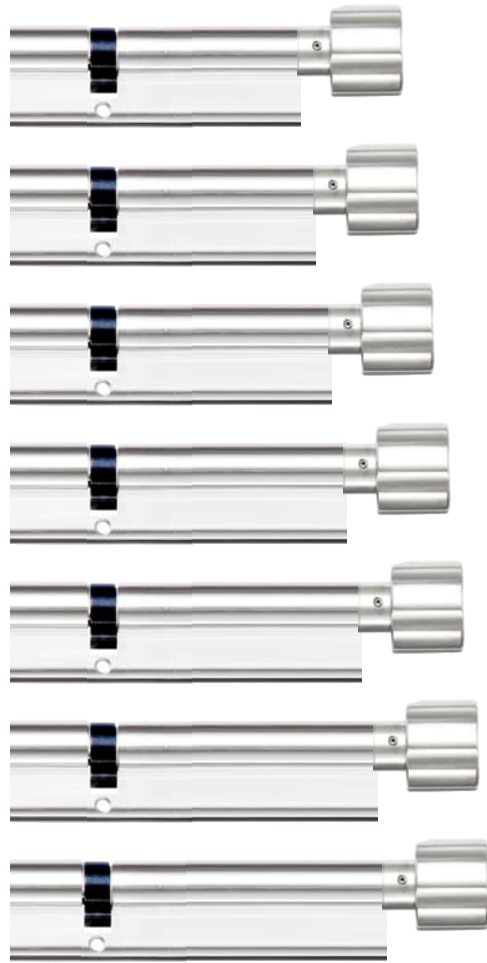
# HUGE STOCK IMPLICATIONS



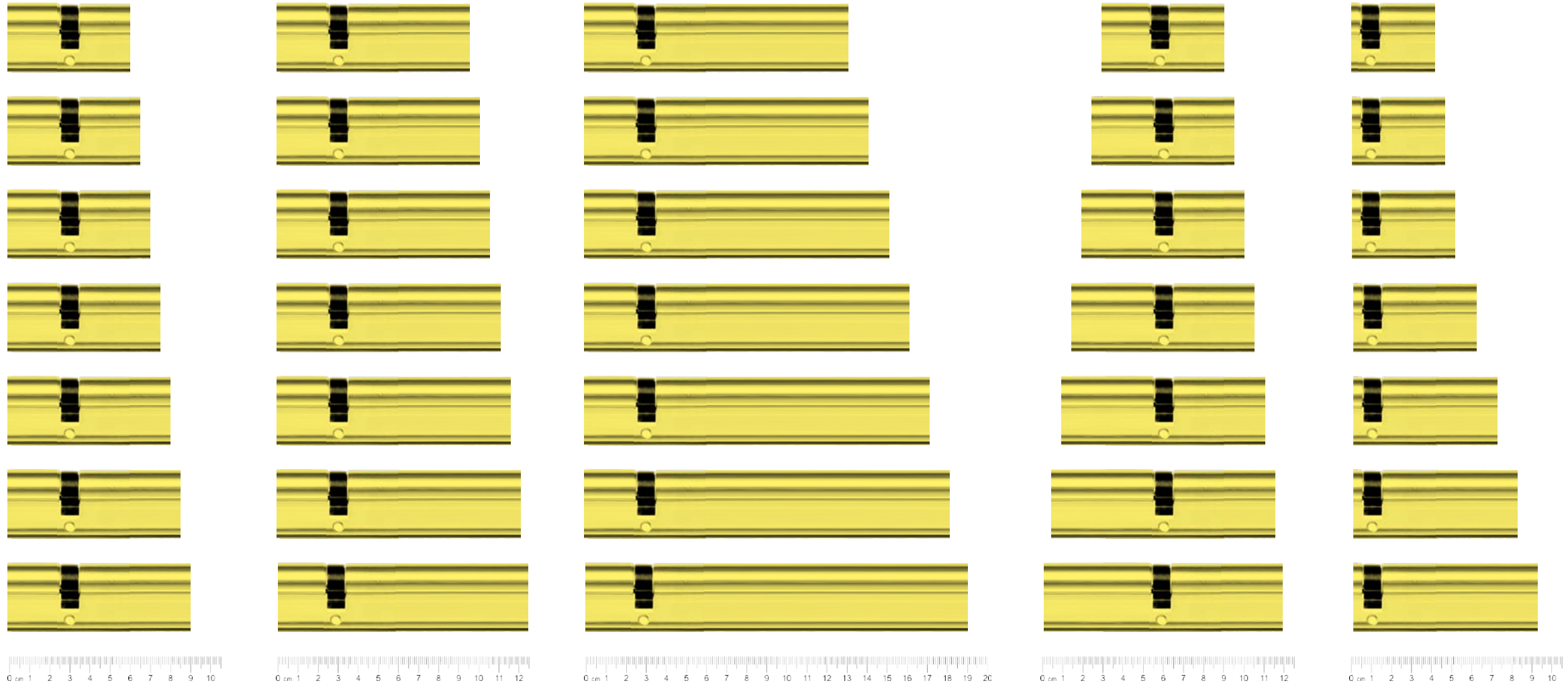
# HUGE STOCK IMPLICATIONS



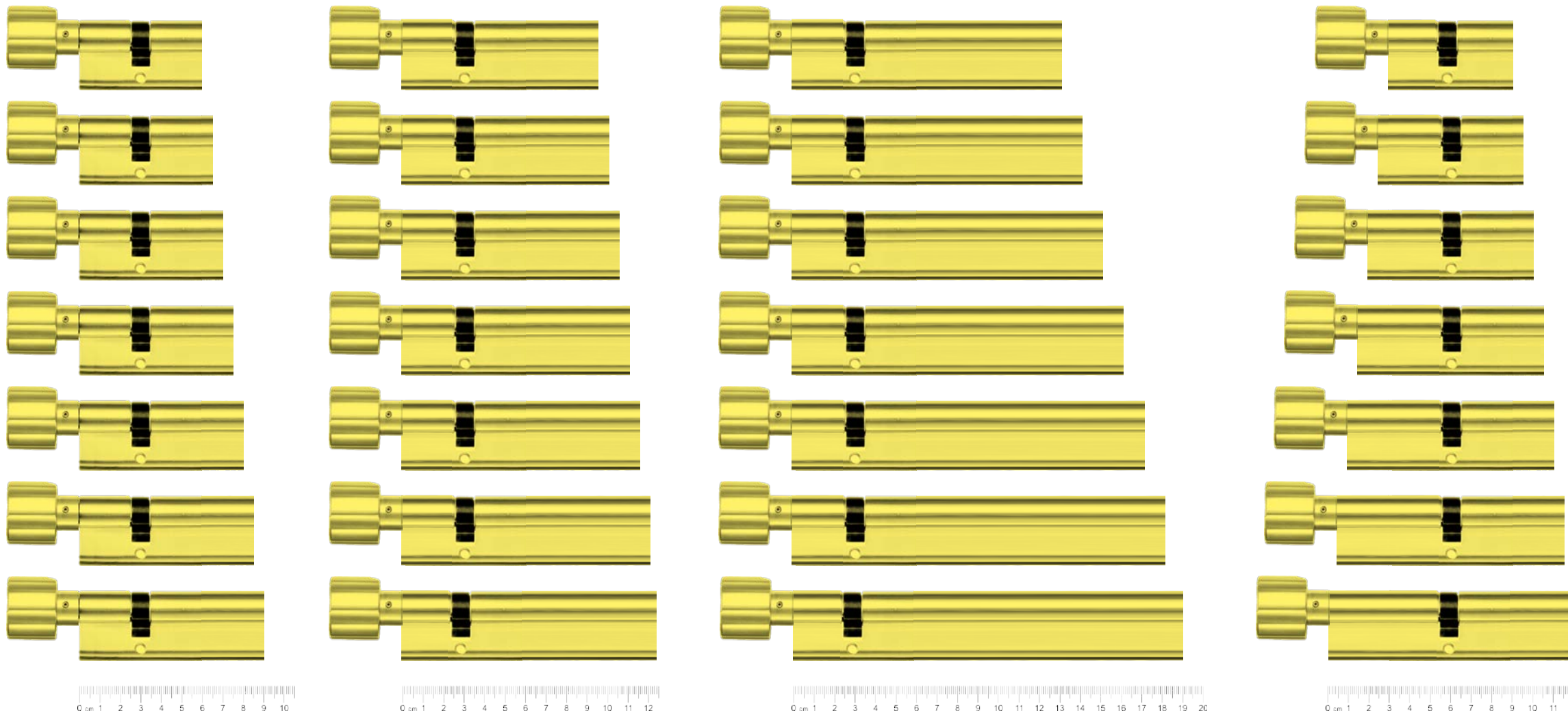
# HUGE STOCK IMPLICATIONS



# HUGE STOCK IMPLICATIONS

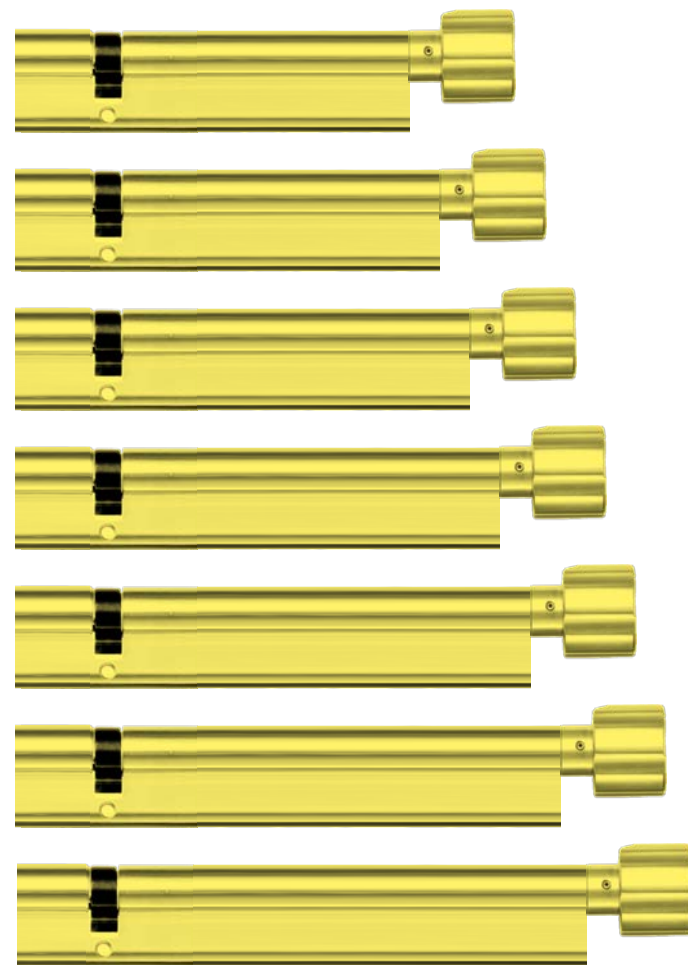
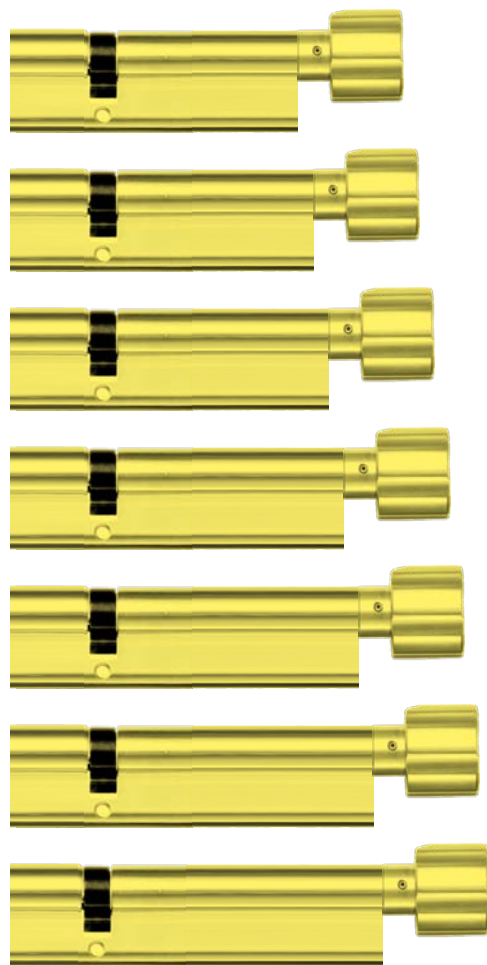
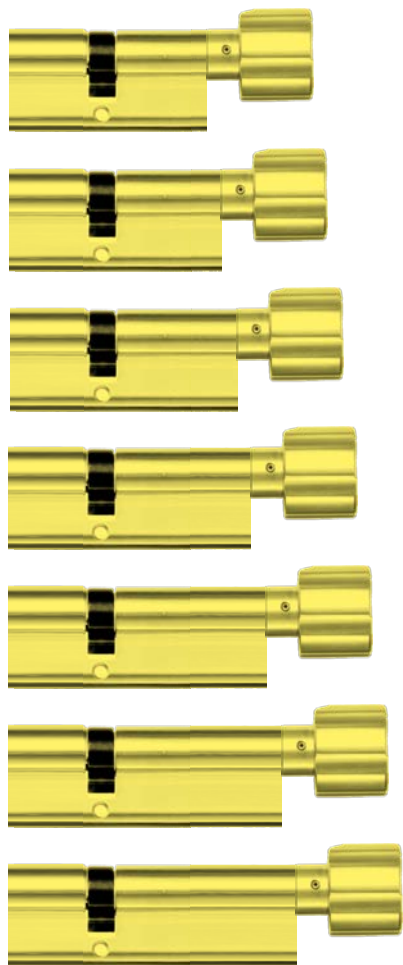


# HUGE STOCK IMPLICATIONS





# HUGE STOCK IMPLICATIONS



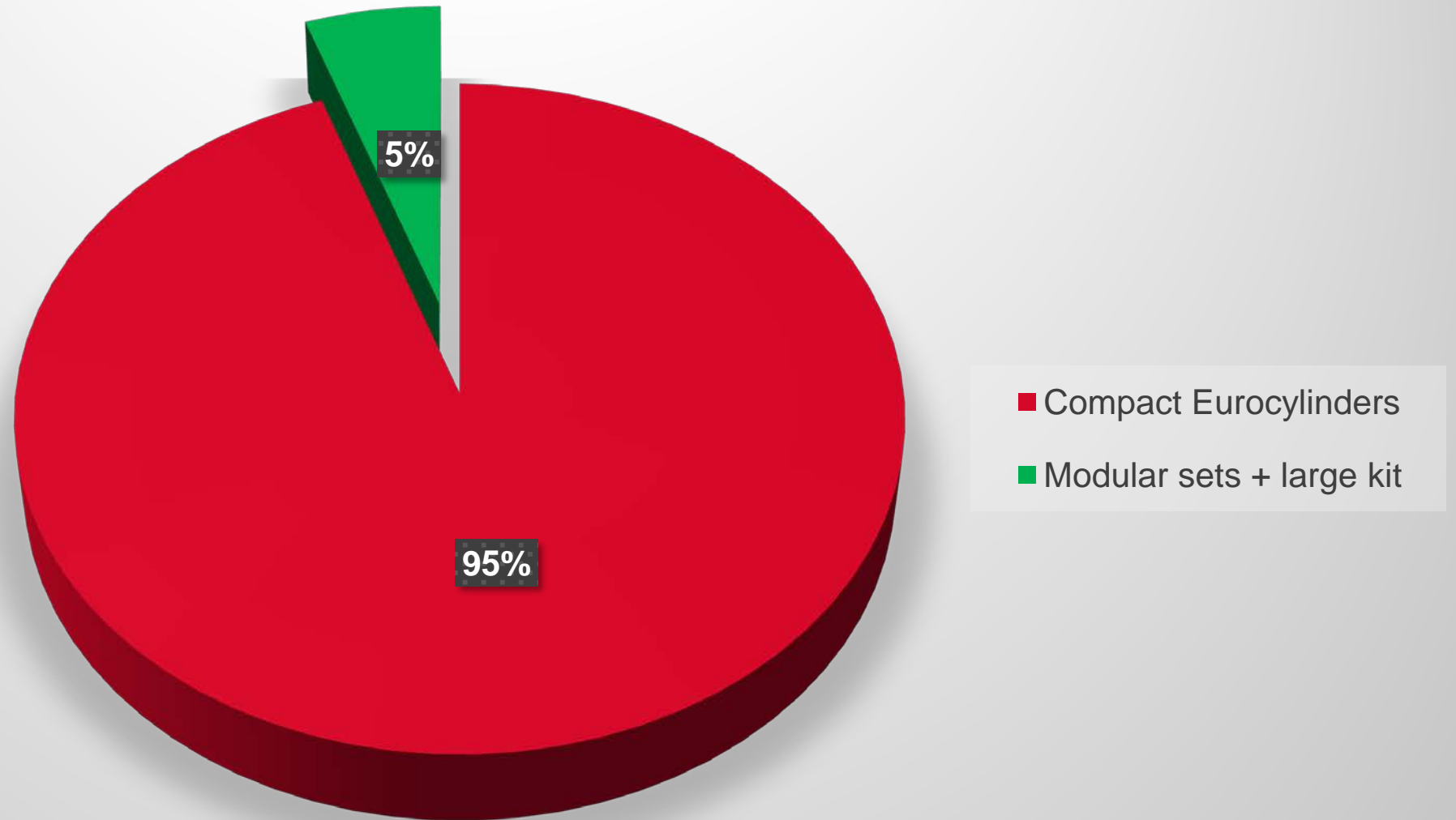
NOW - WHAT DO YOU PUT IN YOUR VAN?



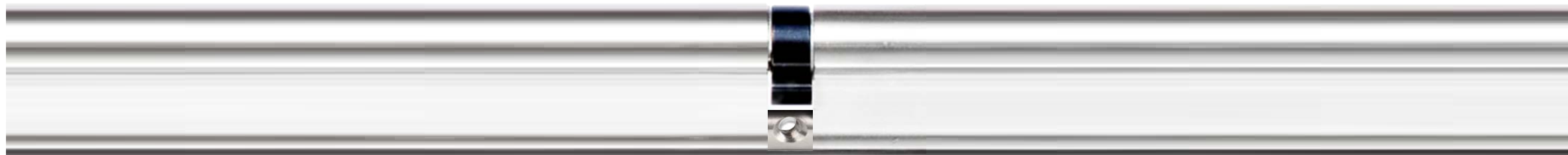
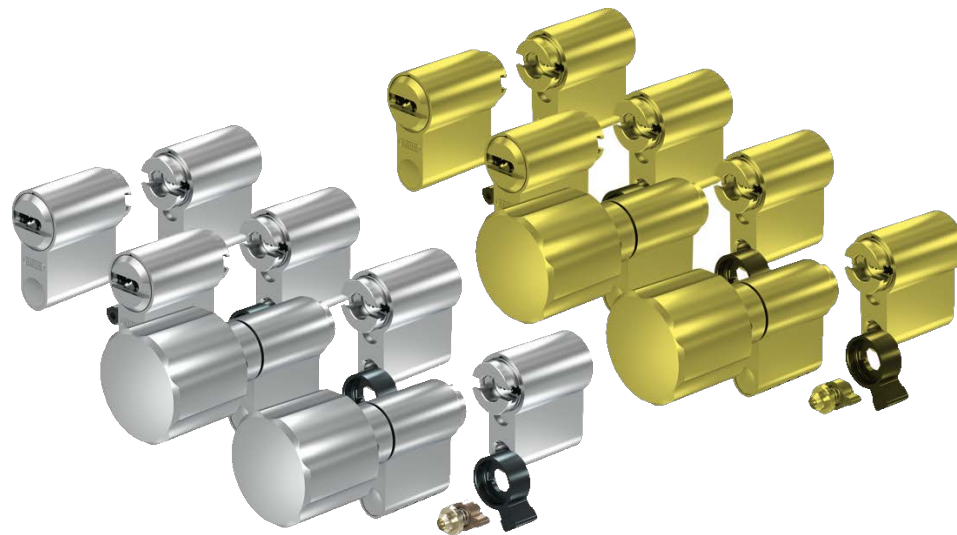
...THAT'S MORE LIKE IT!



# HUGE STOCK IMPLICATIONS > OPTIMISATION



WITH OUR MODULAR > ALL FOR ONE AND ONE FOR ALL



0 cm 1 2 3 4 5 6 7 8 9 10 11 12 13 14 15 16 17 18 19 20

# A PROFESSIONAL KIT > ALL YOU NEED TO START



1

## Tray up to 70/70

This tray contains the bars, extensions and parts you need to extend double, knob and half cylinders up to a total length of 140 mm



2

## Tray up to 100/100

With the contents of this tray you extend your cylinders to very unusual lengths of up to 200 mm of total length



3

## Empty/cylinder tray

In this tray you can place your tools, pre-assembled cylinder sets (12) and further parts to take with you



NEW  
to 200  
mm

## Professional systainer kit

Take this case with you everywhere you go to secure your business. You can pick up one of our recommended packages or mix and match combining the 3 trays on the left



# | APPLICATION SCENARIOS

# HOUSING ASSOCIATIONS / COUNCILS





# LET'S TAKE A LOOK AT THE SPECIFICATION COST IMPLICATIONS



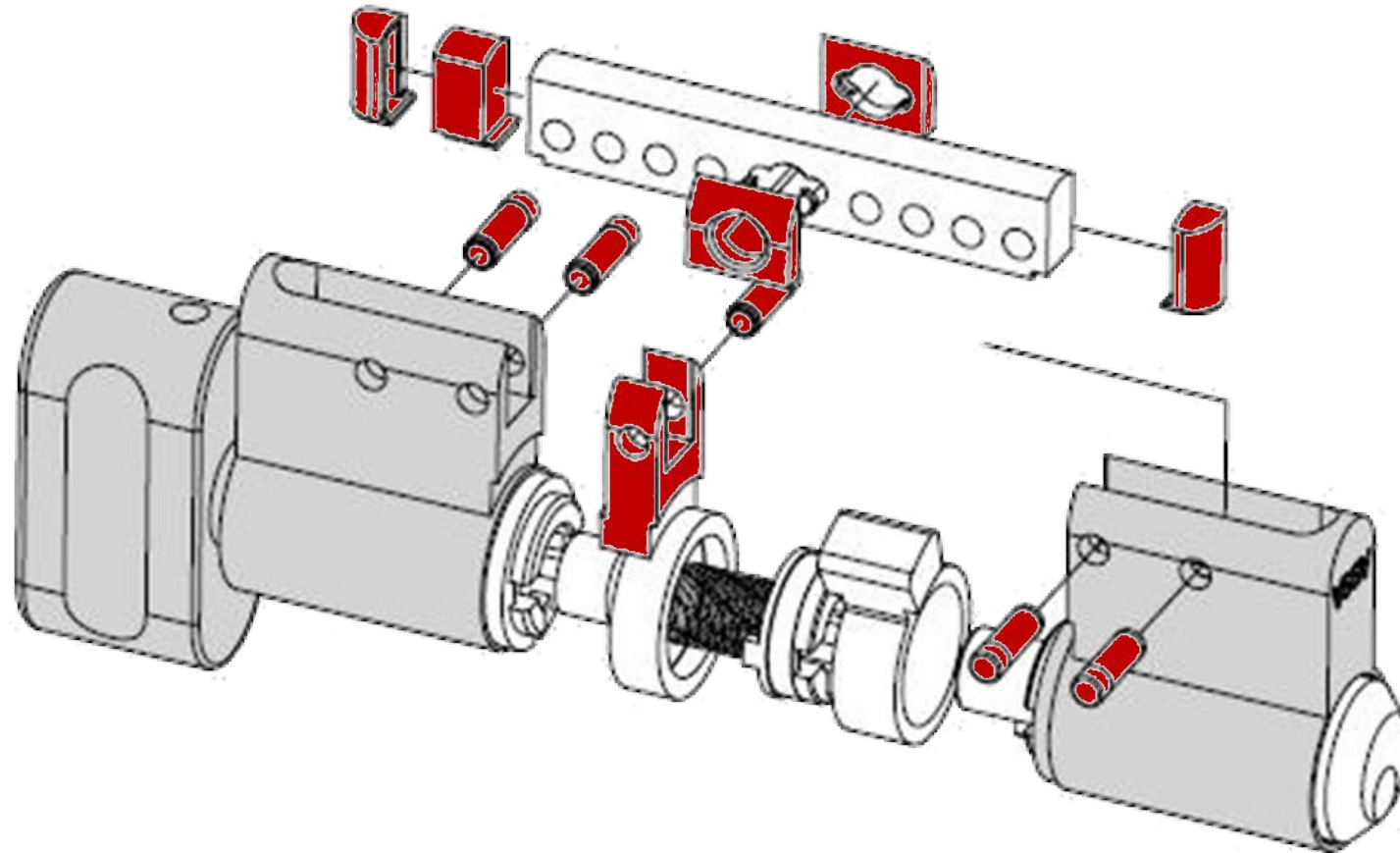
# IMPLICATIONS OF SUCH ROLLOUTS

0001 €

MX = COST SAVINGS!



# COMPETITORS' SOLUTIONS > NOT QUITE THE SAME



THANK YOU VERY  
MUCH FOR YOUR  
ATTENTION!



Security Tech Germany